

# Reliable system – high yields. Bosch Solar Module a-Si

**High-yield – easy-to-assemble – reliable.**  
Solar modules from Bosch Solar Energy.



**BOSCH**



**Our thin-film modules offer impressive features including:**

- ▶ Excellent annual yields for you and your customers, using non-toxic materials
- ▶ Assembly systems that complement one another perfectly and are supplied from a single source thanks to collaborations with major assembly system manufacturers, including Bosch Rexroth
- ▶ Good usage options on e.g. east-facing, west-facing and slightly sloping roofs

**Warranty conditions:**

- ▶ 2-year product warranty
- ▶ Performance guarantee based on our guarantee conditions
- ▶ Product certification to IEC 61646 and IEC 61730

Length [x]	Width [y]	Height [z]	Weight	Junction box	Plug connector	Cable
1300	1100	7.1	25	MultiContact	MC4	plus 600 minus 1000
x, y in mm, -1 / +3 mm; z in mm, ±0.5; weight in kg ±0.7						

Thin-film solar module	
<b>Performance classes</b>	<b>75 Wp, 80 Wp, 85 Wp, 90 Wp</b>
<b>Performance sorting</b>	±2.5 Wp
<b>Structure</b>	<b>Frameless glass-glass laminate</b> <ul style="list-style-type: none"> <li>▶ Float glass</li> <li>▶ PVB or EVA foil</li> <li>▶ Thermally strengthened rear glass</li> <li>▶ Junction box with bypass diode</li> <li>▶ IP-Code Junction Box (IP 65)</li> </ul>
<b>Cells</b>	<b>Amorphous silicon</b> Single-junction cell

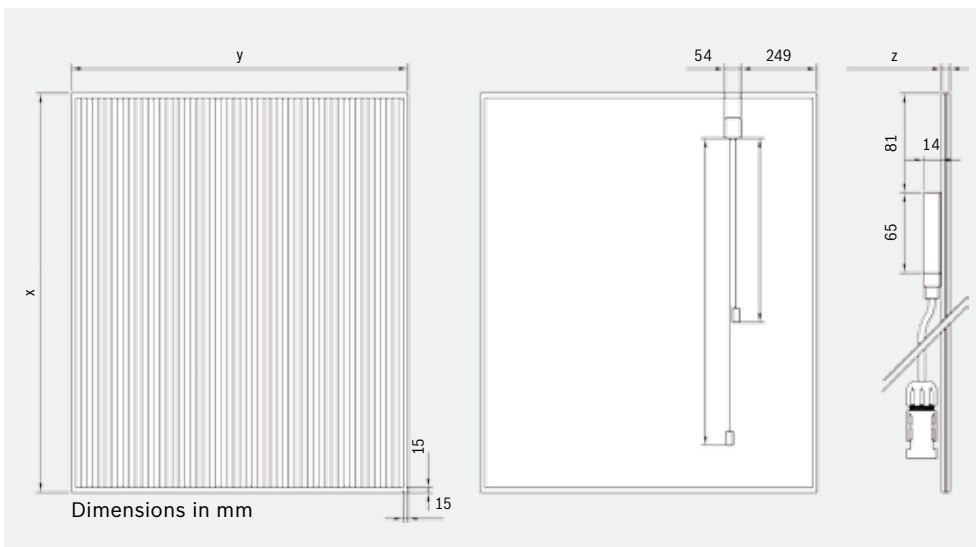
**Electrical characteristics for STC\*\*:**

Performance class [Wp]	Vmpp [V]	Impp [A]	Voc [V]	Isc [A]	Voc initial [V]	Isc initial [A]
90	99	0.90	141	1.13	143	1.19
85	97	0.88	139	1.12	141	1.18
80	95	0.85	137	1.11	139	1.17
75	93	0.81	135	1.10	137	1.16
Reduction in module efficiency for decrease in irradiation level from 1000 W/m <sup>2</sup> to 200 W/m <sup>2</sup> (at 25 °C): -0.XX% (absolute)						

**Electrical characteristics for NOCT\*\*:**

Designation	Pmpp [W]	Vmpp [V]	Voc [V]	Isc [A]
NOCT: Normal Operation Cell Temperature 48.4 °C: Irradiation level 800 W/m <sup>2</sup> , AM 1.5, temperature 20 °C, wind speed 1 m/s, electrical open circuit operation				

**Dimensions\*:**



\* Drawings and diagrams are not to scale. Detailed dimensions and tolerances are available on request.

\*\* Electrical parameters are typical mean values from historical production data.  
Bosch Solar Thin Film GmbH assumes no liability for the accuracy of this data for future production batches.  
All data is subject to a measuring tolerance of ±3%.

**Permissible operating and assembly conditions:**

- ▶ Temperature range -40 °C to +85 °C, humidity max. 85% (rh)
- ▶ Upright assembly, laser lines running vertically
- ▶ Mechanical load-bearing capacity tested on the basis of the “General information and guidelines for fastening Bosch Solar Module a-Si with loads of up to 2400 Pa.”
- ▶ Transformerless DC-AC converters are not permitted
- ▶ Maximum 1000 V system voltage

**Weak light performance:**

Intensity [W/m <sup>2</sup> ]	Vmpp [%]	Impp [%]
1000	0.0	0
800	-0.3	-15
600	-0.6	-36
400	-0.8	-58
200	-6.4	-79
The electrical data applies for 25 °C and AM 1.5.		

**Thermal characteristics:**

Temperature coefficient Pmpp	-0.21%/K
Temperature coefficient Voc	-0.28%/K
Temperature coefficient Isc	+0.04%/K
NOCT	42.4 °C

**Bosch Solar Thin Film GmbH**  
 Sonnenator 2  
 99098 Erfurt  
 Germany  
 Phone: +49 361 74376-100  
 Fax: +49 361 74376-199  
[sales.se@de.bosch.com](mailto:sales.se@de.bosch.com)  
[www.bosch-solarenergy.de](http://www.bosch-solarenergy.de)