

SOLAR MODULES WITH 36 CELLS

Mono-Crystalline YBM75Mo-90Mo

Module Type	Number of Cell	Cell Dimension (mm)	Max System Voltage (V)	Pm (P)	Vm (V)	Im (A)	Voc(V)	Isc (A)
YBM-75Mo	36	125 x 125	DC700	75	17.8	4.22	21.7	4.62
YBM-80Mo	36	125 x 125	DC700	80	18.2	4.40	22.1	4.87
YBM-85Mo	36	125 x 125	DC700	85	18.5	4.59	22.2	5.13
YBM-90Mo	36	125 x 125	DC700	90	18.5	4.86	22.3	5.37

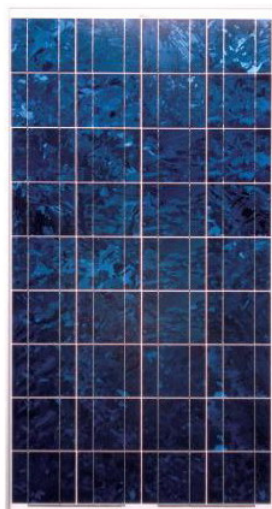
Poly-Crystalline YBM75Po-85Po

Module Type	Number of Cell	Cell Dimension (mm)	Max System Voltage (V)	Pm (P)	Vm (V)	Im (A)	Voc(V)	Isc (A)
YBM-75Po	36	125 x 125	DC700	75	17.5	4.29	21.5	4.65
YBM-80Po	36	125 x 125	DC700	80	17.8	4.49	21.6	4.91
YBM-85Po	36	125 x 125	DC700	85	18.1	4.70	21.7	5.20

PICTURE

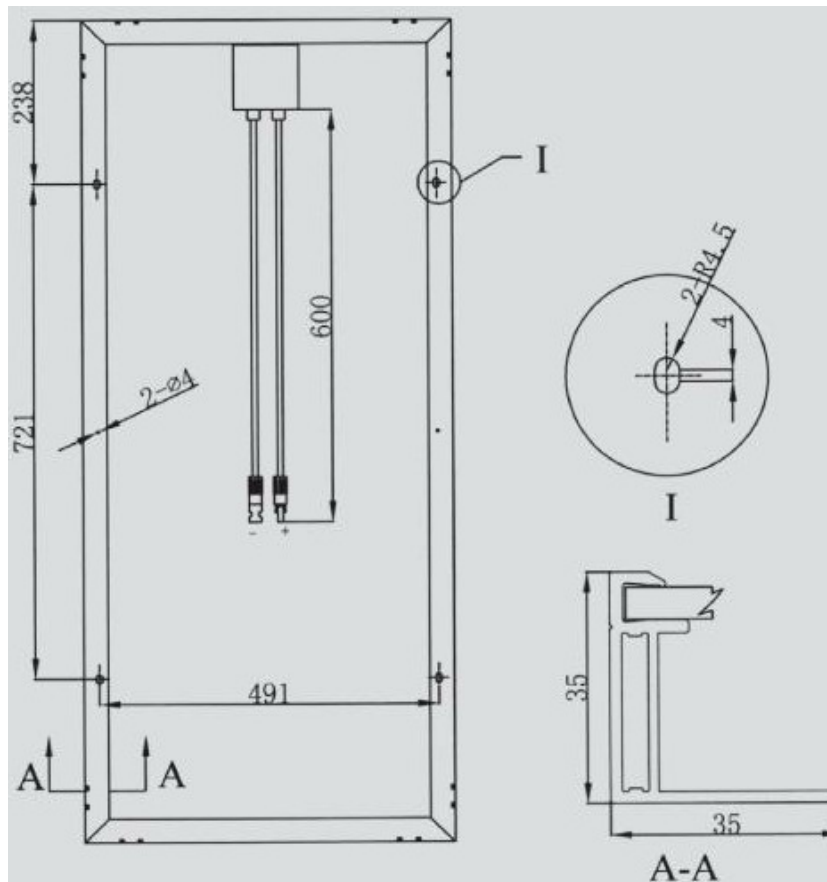


YBM75Mo-90Mo



YBM75Po-85Po

STRUCTURE



Physical Characters	
Module Net Weight	9.2 kg
Module Size	1197 x 535 x 35 (mm)
Carton Size	1230 x 570 x 90 (mm)
Packing Configuration	2 pcs/carton 19 cartons/pallet
Loading Capacity	456pcs/12 pallet/20' FCL 1026pcs/27 pallets/ 40' FCL

SOLAR MODULES WITH 72 CELLS

Mono-Crystalline YBM160Mo-185Mo

Module Type	Number of Cell	Cell Dimension (mm)	Max System Voltage (V)	Pm (P)	Vm (V)	Im (A)	Voc(V)	Isc (A)
YBM-160Mo	72	125 x 125	DC700	160	34.5	4.64	43.2	5.07
YBM-165Mo	72	125 x 125	DC700	165	35.4	4.66	43.6	5.08
YBM-170Mo	72	125 x 125	DC700	170	35.6	4.78	44.2	5.15
YBM-175Mo	72	125 x 125	DC700	175	35.8	4.89	44.2	5.25
YBM-180Mo	72	125 x 125	DC700	180	36.2	4.97	44.2	5.36
YBM-185Mo	72	125 x 125	DC700	185	36.3	5.10	44.2	5.51

Poly-Crystalline YBM160Po-175Po

Module Type	Number of Cell	Cell Dimension (mm)	Max System Voltage (V)	Pm (P)	Vm (V)	Im (A)	Voc(V)	Isc (A)
YBM-160Po	72	125 x 125	DC700	160	34.5	4.64	43.2	5.98
YBM-165Po	72	125 x 125	DC700	165	34.8	4.74	43.3	5.09
YBM-170Po	72	125 x 125	DC700	170	35.2	4.83	43.5	5.21
YBM-175Po	72	125 x 125	DC700	175	35.5	4.93	43.6	5.29

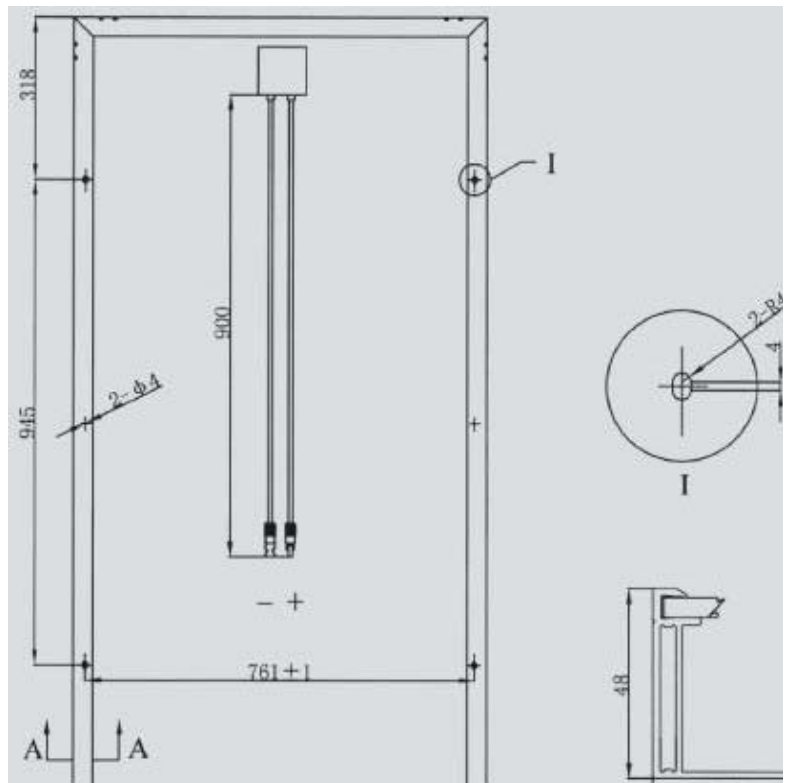
PICTURE



YBM160Mo-185Mo

YBM160Po-175Po

STRUCTURE



Physical Characters	
Module Net Weight	16.5 kg
Module Size	1581 x 809 x 48 (mm)
Carton Size	1615 x 845 x 110 (mm)
Packing Configuration	2 pcs/carton 18 cartons/pallet
Loading Capacity	280pcs/7 pallets/20' FCL 560pcs/14 pallets/ 40' FCL

SOLAR MODULES WITH 48 CELLS

Mono-Crystalline YBM175Mo-185Mo

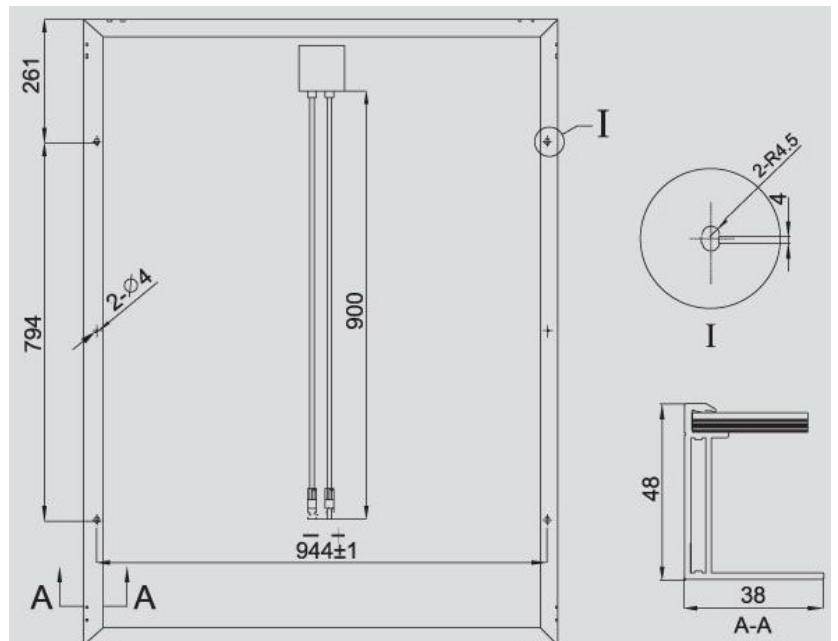
Module Type	Number of Cell	Cell Dimension (mm)	Max System Voltage (V)	Pm (P)	Vm (V)	Im (A)	Voc(V)	Isc (A)
YBM-175Mo	48	156 x 156	DC700	175	23.2	7.55	28.6	8.26
YBM-180Mo	48	156 x 156	DC700	180	23.7	7.60	28.8	8.34
YBM-185Mo	48	156 x 156	DC700	185	24.0	7.71	29.0	8.43

PICTURE



YBM175Mo-185Mo

STRUCTURE



Physical Characters	
Module Net Weight	15.6 kg
Module Size	1316 x 992 x 48 (mm)
Carton Size	1350 x 1030 x 110 (mm)
Packing Configuration	2 pcs/carton 18 cartons/pallet
Loading Capacity	288pcs/8 pallets/20' FCL; 576pcs/16 pallets/ 40' FCL

SOLAR MODULES WITH 60 CELLS

Poly-Crystalline YBM200Po-230Po

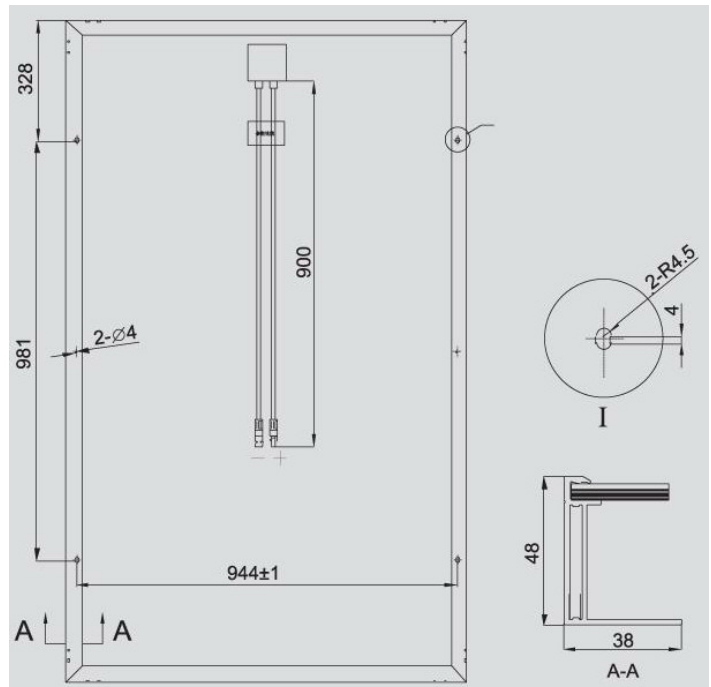
Module Type	Number of Cell	Cell Dimension (mm)	Max System Voltage (V)	Pm (P)	Vm (V)	Im (A)	Voc(V)	Isc (A)
YBM-200Po	60	156 x 156	DC700	200	29.1	6.87	35.9	7.35
YBM-210Po	60	156 x 156	DC700	210	29.6	7.09	35.9	7.60
YBM-220Po	60	156 x 156	DC700	220	30.1	7.31	36.0	7.95
YBM-230Po	60	156 x 156	DC700	230	30.4	7.57	36.4	8.17

PICTURE



YBM200Po-230Po

STRUCTURE



Physical Characters

Module Net Weight	18.9 kg
Module Size	1637 x 992 x 48 (mm)
Carton Size	1670 x 1030 x 110 (mm)
Packing Configuration	2 pcs/carton 18 cartons/pallet
Loading Capacity	216pcs/6 pallets/20' FCL; 468pcs/13 pallets/ 40' FCL

SMALL SOLAR MODULE



Traffic Signal Light



Traffic Monitor



Garden Light



Solar Street Light



Solar Lawn Light